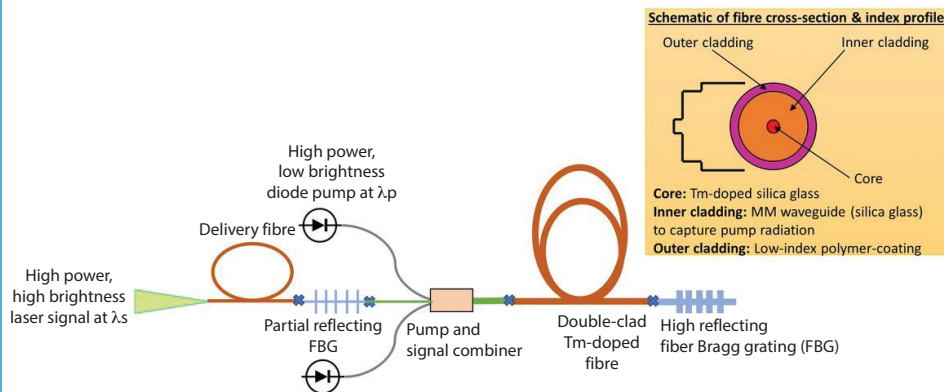


A PEER-REVIEWED BIMONTHLY JOURNAL



TURKISH JOURNAL OF UROLOGY

Special Issue on Endourology



Matthew Schembri, et al.; Thulium fiber laser: The new kid on the block. Page: S1

1



TURKISH JOURNAL OF UROLOGY

Owner and Responsible Manager

Ateş KADIOĞLU

Department of Urology, İstanbul
University İstanbul School of Medicine, İstanbul, Turkey
ORCID ID: 0000-0002-4239-7638

Editor in Chief

Murat BOZLU

Department of Urology, Mersin
University School of Medicine, Mersin, Turkey
ORCID ID: 0000-0002-8624-0149

Co-Editor

Bhaskar K. SOMANI

Urological Surgery Department, University Hospital
Southampton NHS Trust, Southampton, UK
ORCID ID: 0000-0002-6248-6478

Associate Editors

Andrology (Sexual Medicine and Male Infertility)

Selahittin ÇAYAN

Department of Urology, Mersin
University School of Medicine, Mersin, Turkey
ORCID ID: 0000-0003-4784-2208

Endourology

Emrah YÜRÜK

BHT Clinic, İstanbul Tema Hospital, İstanbul, Turkey
ORCID ID: 0000-0002-2343-8828

General Urology

Fikret ERDEMİR

Department of Urology, Gaziosmanpaşa University
School of Medicine, Tokat, Turkey
ORCID ID: 0000-0002-3744-1681

Neuro/Female Urology

Ömer BAYRAK

Department of Urology, Gaziantep
University School of Medicine, Gaziantep, Turkey
ORCID ID: 0000-0001-5542-1572

Pediatric Urology

Mesrur Selçuk SILAY

Clinic of Pediatric Urology, İstanbul Gelişim University,
Memorial Hospital, İstanbul, Turkey
ORCID ID: 0000-0001-5091-9654

Uro-Oncology

Bhavan Prasad RAI

Department of Urology, The Newcastle Upon Tyne
Hospitals NHS Foundation Trust, Newcastle, UK

Biostatistical Editor

Halim İŞSEVER

Department of Public Health, İstanbul University İstanbul
School of Medicine, İstanbul, Turkey

Türk Üroloji Derneği adına sahibi ve Sorumlu Yazı İşleri Müdürü / Owner and Responsible Manager on behalf of the Turkish Association of Urology Turkey: Ateş Kadioğlu • Yayın türü / Publication Type: Yerel süreli / Local periodical • Basım yeri / Printed at: Matsis Matbaa Hizmetleri San. ve Tic. Ltd. Şti. Tefikbey Mah. Dr. Ali Demir Cad. No: 51 Sefaköy, İstanbul, Turkey (+90 212 624 21 11) • Basım tarihi / Printing Date: Kasım 2020 / November 2020 • Türk Üroloji Derneği tarafından yayınlanmaktadır / Published by Turkish Association of Urology of Turkey, Prof. Nurettin Oktem Sok. Lale Palas Apt. No: 18/2, 34382 Sisli, İstanbul (+90 212 232 46 89)



Publisher
İbrahim KARA

Publications Director
Ali ŞAHİN

Editorial Development
Gizem KAYAN TEKAÜT

Deputy Publications Director
Gökhan ÇİMEN

Publication Coordinators

İrem SOYSAL
Arzu YILDIRIM
Deniz KAYA
Bahar ALBAYRAK
Emre KARA

Finance and Administration
Zeynep YAKIŞIRER ÜREN
Betül ÇİMEN

Project Coordinators
Sinem Fehime KOZ
Doğan ORUÇ

Graphics Department
Ünal ÖZER
Deniz Elif DURAN

Contact

Address: Büyükdere Cad. No:
105/9 34394

Mecidiyeköy, Şişli-İstanbul, Turkey

Phone: +90 212 217 17 00

Fax: +90 212 217 22 92

E-mail: info@avesyayincilik.com



TURKISH JOURNAL OF UROLOGY

Production Coordinators

Mehmet Giray SÖNMEZ

Department of Urology, Necmettin Erbakan University
Meram School of Medicine, Konya, Turkey
ORCID ID: 0000-0003-4615-7348

Orçun ÇELİK

Department of Urology, Health Science University
School of Medicine, Tepecik Hospital, İzmir, Turkey
ORCID ID: 0000-0001-6612-1831

Digital Media Editor

Tümay İPEKÇİ

Department of Urology, Başkent University School of
Medicine, Ankara, Turkey
ORCID ID: 0000-0002-2755-0526

International Editorial Board

Fatih ATUĞ

Department of Urology, İstanbul Bilim University Florence
Nightingale Hospital, İstanbul, Turkey

Bülent AKDUMAN

Department of Urology, Zonguldak Bülent Ecevit University
School of Medicine, Zonguldak, Turkey

Bariş ALTAY

Department of Urology, Ege University School of Medicine,
İzmir, Turkey

Dean ASSIMOS

Department of Urology, Alabama University School of
Medicine, Alabama, USA

Gopal H. BADLANI

Long Island Jewish Medical Center, New York, USA

Derya BALBAY

Department of Urology, Koç University Hospital,
İstanbul, Turkey

Michael L. BLUTE

Department of Urology, Mayo Clinic, Minnesota, USA

Guy BOGAERT

Department of Urology, UZ Leuven University, Antwerp,
Belgium

Marco BORGHESI

Department of Urology, University of Genova, Italy

Collin P. DINNEY

Department of Urology, University of Texas MD Anderson
Cancer Center, Houston, Texas, USA

Roger Roman DMOCHOWSKI

Department of Urology, Vanderbilt University Medical Center,
Nashville, USA

Esteban EMILLIANI

Department of Urology, Endourology and Urolithiasis
Unit, Fundación Puigvert, Autonomous University of
Barcelona, Barcelona, Spain

Shin EGAWA

Department of Urology, Jikei University School of Medicine,
Tokyo, Japan

Randy FAGIN

Texas Institute for Robotic Surgery, Texas, USA

Rüştü Cankon GERMİYANOĞLU

Department of Urology, Ondokuz Mayıs University School of
Medicine, Samsun, Turkey

Ali Serdar GÖZEN

SLK-Kliniken, Department of Urology, Heidelberg University
teaching Hospital, Heilbronn, Germany

Selçuk GÜVEN

Department of Urology, Medipol Hospital School of Medicine,
İstanbul, Turkey

H. Barton GROSSMAN

Department of Urology, University of Texas M. D. Anderson
Cancer Center, Houston, TX, USA

Zeeshan HAMEED

Department of Urology and Renal Transplant, Kasturba
Medical College, Manipal, India

Rizwan HAMID

Department of Urology, University College London Hospitals
& London Spinal Injuries Unit, Stanmore, London, UK

Sender HERSCHORN

Department of Urology, University of Toronto, Toronto,
Ontario, Canada



TURKISH JOURNAL OF UROLOGY

Didier JACQMIN

Department of Urology, Hospital Civil, Strasbourg, France

Klaus Peter JUENEMANN

Department of Urology and Paediatric Urology, Keil Campus of University Hospital Schleswig-Holstein, Kiel, Germany

Ateş KADIOĞLU

Department of Urology, İstanbul University İstanbul School of Medicine, İstanbul, Turkey

Panagiotis KALLIDONIS

Department of Urology, University of Patras, Patras, Greece

Guido M. KAMPHUIS

Department Urology, Amsterdam University Medical Centre, Amsterdam, The Netherlands

Muammer KENDİRCİ

Department of Urology, İstinye University School of Medicine, Liv Hospital Ulus, İstanbul, Turkey

Martin KOYLE

Division of Urology, Seattle Children's Hospital, Seattle, WA, USA

Sanjay Balwant KULKARNI

Kulkarni School of Urethral Surgery, Pune, India

Suks MINHAS

Imperial College Healthcare NHS Trust, Honorary Senior Lecturer, Imperial College, London, UK

Victor NITTI

Department of Urology, School of Medicine, New York University, New York, USA

A. Rahmi ONUR

Department of Urology, Marmara University School of Medicine, İstanbul, Turkey

Athanasios PAPATSORIS

2nd Department of Urology, National and Kapodistrian University of Athens, School of Medicine, Sismanoglio Hospital, Athens, Greece

Anup PATEL

Nationwide Children's Hospital and The Ohio State University College of Medicine Columbus, OH, USA

Louis L. PISTERS

Department of Urology, MD Anderson Cancer Center, Houston, Texas, USA

Hein Van POPPEL

Department of Urology, University Hospitals Leuven, Leuven, Belgium

Kemal SARICA

Department of Urology, Biruni University School of Medicine, İstanbul, Turkey

İlker SEÇKİNER

Department of Urology, Gaziantep University School of Medicine, Gaziantep, Turkey

Ajay K. SINGLA

Department of Urology, Toledo University School of Medicine, Ohio, USA

Andreas SKOLARIKOS

2nd Department of Urology, National and Kapodistrian University of Athens, Sismanogleio Hospital, Athens, Greece

Prasanna SOORIAKUMARAN

Department of Urology, University College London Hospitals, London, UK

Burak TURNA

Department of Urology, Ege University School of Medicine, İzmir, Turkey

Barış TÜRKBEY

Molecular Imaging Program, National Cancer Institute, National Institutes of Health, Bethesda, MD, USA

Kadir TÜRKÖLMEZ

Department of Urology, Ankara University School of Medicine, Ankara, Turkey

Mustafa USTA

Department of Urology, Akdeniz University School of Medicine, Antalya, Turkey

Nikhil VASDEV

Hertfordshire and Bedfordshire Urological Cancer Centre, Lister Hospital (East and North Herts NHS Trust), Watford General Hospital (West Herts NHS Trust), UK

Run WANG

University of Texas McGovern Medical School at Houston and MD Anderson Cancer Center, Houston, TX, USA

M. Önder YAMAN

Department of Urology, Ankara University School of Medicine, Ankara, Turkey

Selçuk YÜCEL

Department of Urology, Marmara University School of Medicine, İstanbul, Turkey

A PEER-REVIEWED BIMONTHLY JOURNAL



TURKISH JOURNAL OF UROLOGY

AIMS AND SCOPE

Turkish Journal of Urology (Turk J Urol) is the scientific, peer reviewed, open access publication of the Turkish Association of Urology. The journal is a bimonthly publication, published on January, March, May, July, September and November and its publication language is English.

Turkish Journal of Urology aims to publish original studies of the highest scientific and clinical value in urology and related disciplines. The scope of the journal includes but not limited to basic and translational science, education and simulation, endourology and stones, female urology and dysfunction, urological infections, laparoscopy and robotics, andrology and infertility, prostatic diseases, reconstructive urology, oncology, and pediatric urology.

The journal publishes original articles, clinical trials, reviews, rare case reports, and letters to the editor that are prepared in accordance with the ethical guidelines. Mini reviews, clinical updates, surgical techniques, and a guideline of guidelines that are in the scope of the journal are considered for publication and/or invited by the editor.

The journal's target audience includes, urology specialists, medical specialty fellows and other specialists and practitioners who are interested in the field of urology.

The editorial and publication processes of the journal are shaped in accordance with the guidelines of the International Committee of Medical Journal Editors (ICMJE), World Association of Medical Editors (WAME), Council of Science Editors (CSE), Committee on Publication Ethics (COPE), European Association of Science Editors (EASE), and National Information Standards Organization (NISO). The journal is in conformity with the Principles of Transparency and Best Practice in Scholarly Publishing (doaj.org/bestpractice).

Turkish Journal of Urology is currently indexed/abstracted by-PubMed Central, Web of Science-Emerging Sources Citation Index, TUBITAK ULAKBİM TR Index, Scopus, HINARI, EBSCO, CINAHL, GALE and ProQuest.

Processing and publication are free of charge with the journal. No fees are requested from the authors at any point throughout the evaluation and publication process. All manuscripts must be submitted via the online submission system, which is available at www.turkishjournalofurology.com. The journal guidelines, technical information, and the required forms are available on the journal's web page.

All expenses of the journal are covered by the Turkish Association of Urology. Potential advertisers should contact the Editorial Office. Advertisement images are published only upon the Editor-in-Chief's approval.

Statements or opinions expressed in the manuscripts published in the journal reflect the views of the author(s) and not the opinions of the Turkish Association of Urology, editors, editorial board, and/or publisher; the editors, editorial board, and publisher disclaim any responsibility or liability for such materials.

All published content is available online, free of charge at www.turkishjournalofurology.com. Printed copies of the journal are distributed to the members of the Turkish Association of Urology, free of charge.

Turkish Association of Urology holds the international copyright of all the content published in the journal.

The journal is printed on an acid-free paper



OPEN ACCESS

Editor in Chief: Murat Bozlu

Address: Mersin Üniversitesi Tıp Fakültesi, Üroloji Anabilim Dalı, Mersin, Turkey

Phone: +90 324 241 00 00 (Extension: 1390)

Fax: +90 324 241 00 98

E-mail: muratbozlu@yahoo.com

Publisher: AVES

Address: Büyükdere Cad., 105/9 34394 Mecidiyeköy, Şişli, İstanbul, Turkey

Phone: +90 212 217 17 00

Fax: +90 212 217 22 92

E-mail: info@avesyayincilik.com

Web page: avesyayincilik.com



TURKISH JOURNAL OF UROLOGY

INFORMATION TO AUTHORS

Turkish Journal of Urology (Turk J Urol) is the scientific, peer reviewed, open access publication of the Turkish Association of Urology. The journal is a bimonthly publication, published on January, March, May, July, September and November and its publication language is English.

The aim of the Turkish Journal of Urology is to contribute to the literature by publishing scientifically high-quality research articles as well as reviews, editorials, letters to the editor and case reports.

The journal's target audience includes, urology specialists, medical specialty fellows and other specialists and practitioners who are interested in the field of urology.

The editorial and publication processes of the journal are shaped in accordance with the guidelines of the International Council of Medical Journal Editors (ICMJE), the World Association of Medical Editors (WAME), the Council of Science Editors (CSE), the Committee on Publication Ethics (COPE), the European Association of Science Editors (EASE), and National Information Standards Organization (NISO). The journal conforms to the Principles of Transparency and Best Practice in Scholarly Publishing (doaj.org/bestpractice).

Originality, high scientific quality, and citation potential are the most important criteria for a manuscript to be accepted for publication. Manuscripts submitted for evaluation should not have been previously presented or already published in an electronic or printed medium. The journal should be informed of manuscripts that have been submitted to another journal for evaluation and rejected for publication. The submission of previous reviewer reports will expedite the evaluation process. Manuscripts that have been presented in a meeting should be submitted with detailed information on the organization, including the name, date, and location of the organization.

Manuscripts submitted to the Turkish Journal of Urology will go through a double-blind peer-review process. Each submission will be reviewed by at least two external, independent peer reviewers who are experts in their fields in order to ensure an unbiased evaluation process. The editorial board will invite an external and independent editor to manage the evaluation processes of manuscripts submitted by editors or

by the editorial board members of the journal. The Editor in Chief is the final authority in the decision-making process for all submissions.

An approval of research protocols by the Ethics Committee in accordance with international agreements (World Medical Association Declaration of Helsinki "Ethical Principles for Medical Research Involving Human Subjects," amended in October 2013, www.wma.net) is required for experimental, clinical, and drug studies and for some case reports. If required, ethics committee reports or an equivalent official document will be requested from the authors. For manuscripts concerning experimental research on humans, a statement should be included that shows that written informed consent of patients and volunteers was obtained following a detailed explanation of the procedures that they may undergo. For studies carried out on animals, the measures taken to prevent pain and suffering of the animals should be stated clearly. Information on patient consent, the name of the ethics committee, and the ethics committee approval number should also be stated in the Material and methods section of the manuscript. It is the authors' responsibility to carefully protect the patients' anonymity. For photographs that may reveal the identity of the patients, releases signed by the patient or their legal representative should be enclosed.

All submissions are screened by a similarity detection software (iThenticate by CrossCheck).

In the event of alleged or suspected research misconduct, e.g., plagiarism, citation manipulation, and data falsification/fabrication, the Editorial Board will follow and act in accordance with COPE guidelines.

Each individual listed as an author should fulfill the authorship criteria recommended by the International Committee of Medical Journal Editors

(ICMJE-www.icmje.org). The ICMJE recommends that authorship be based on the following 4 criteria:

- 1 Substantial contributions to the conception or design of the work; or the acquisition, analysis, or interpretation of data for the work; AND
- 2 Drafting the work or revising it critically for important intellectual content; AND



TURKISH JOURNAL OF UROLOGY

- 3 Final approval of the version to be published; AND
- 4 Agreement to be accountable for all aspects of the work in ensuring that questions related to the accuracy or integrity of any part of the work are appropriately investigated and resolved.

In addition to being accountable for the parts of the work he/she has done, an author should be able to identify which co-authors are responsible for specific other parts of the work. In addition, authors should have confidence in the integrity of the contributions of their co-authors.

All those designated as authors should meet all four criteria for authorship, and all who meet the four criteria should be identified as authors. Those who do not meet all four criteria should be acknowledged in the title page of the manuscript.

Turkish Journal of Urology requires corresponding authors to submit a signed and scanned version of the authorship contribution form (available for download through www.turkishjournalofurology.com) during the initial submission process in order to act appropriately on authorship rights and to prevent ghost or honorary authorship. If the editorial board suspects a case of "gift authorship," the submission will be rejected without further review. As part of the submission of the manuscript, the corresponding author should also send a short statement declaring that he/she accepts to undertake all the responsibility for authorship during the submission and review stages of the manuscript.

Turkish Journal of Urology requires and encourages the authors and the individuals involved in the evaluation process of submitted manuscripts to disclose any existing or potential conflicts of interests, including financial, consultant, and institutional, that might lead to potential bias or a conflict of interest. Any financial grants or other support received for a submitted study from individuals or institutions should be disclosed to the Editorial Board. To disclose a potential conflict of interest, the ICMJE Potential Conflict of Interest Disclosure Form should be filled in and submitted by all contributing authors. Cases of a potential conflict of interest of the editors, authors, or reviewers are resolved by the journal's Editorial Board within the scope of COPE and ICMJE guidelines.

The Editorial Board of the journal handles all appeal and complaint cases within the scope of COPE guidelines. In

such cases, authors should get in direct contact with the editorial office regarding their appeals and complaints. When needed, an ombudsperson may be assigned to resolve cases that cannot be resolved internally. The Editor in Chief is the final authority in the decision-making process for all appeals and complaints.

When submitting a manuscript to the Turkish Journal of Urology, authors accept to assign the copyright of their manuscript to the Turkish Association of Urology. If rejected for publication, the copyright of the manuscript will be assigned back to the authors. Turkish Journal of Urology requires each submission to be accompanied by a Copyright Transfer and Acknowledgement of Authorship Form (available for download at www.turkishjournalofurology.com). When using previously published content, including figures, tables, or any other material in both print and electronic formats, authors must obtain permission from the copyright holder. Legal, financial and criminal liabilities in this regard belong to the author(s).

Statements or opinions expressed in the manuscripts published in Turkish Journal of Urology reflect the views of the author(s) and not the opinions of the editors, the editorial board, or the publisher; the editors, the editorial board, and the publisher disclaim any responsibility or liability for such materials. The final responsibility in regard to the published content rests with the authors.

MANUSCRIPT PREPARATION

The manuscripts should be prepared in accordance with ICMJE-Recommendations for the Conduct, Reporting, Editing, and Publication of Scholarly Work in Medical Journals (updated in December 2019-<http://www.icmje.org/icmje-recommendations.pdf>). Authors are required to prepare manuscripts in accordance with the CONSORT guidelines for randomized research studies, STROBE guidelines for observational original research studies, STARD guidelines for studies on diagnostic accuracy, PRISMA guidelines for systematic reviews and meta-analysis, ARRIVE guidelines for experimental animal studies, and TREND guidelines for non-randomized public behavior.

Manuscripts can only be submitted through the journal's online manuscript submission and evaluation system, available at www.turkishjournalofurology.com. Manuscripts submitted via any other medium will not be evaluated.



TURKISH JOURNAL OF UROLOGY

Manuscripts submitted to the journal will first go through a technical evaluation process where the editorial office staff will ensure that the manuscript has been prepared and submitted in accordance with the journal's guidelines. Submissions that do not conform to the journal's guidelines will be returned to the submitting author with technical correction requests.

Authors are required to submit the following:

- Copyright Transfer and Acknowledgement of Authorship Form and
- ICMJE Potential Conflict of Interest Disclosure Form (should be filled in by all contributing authors)

during the initial submission. These forms are available for download at www.turkishjournalofurology.com.

Preparation of the Manuscript

Title page: A separate title page should be submitted with all submissions and this page should include:

- The full title of the manuscript as well as a short title (running head) of no more than 50 characters,
- Name(s), affiliations, and highest academic degree(s) of the author(s),
- Grant information and detailed information on the other sources of support,
- Name, address, telephone (including the mobile phone number) and fax numbers, and email address of the corresponding author,
- Acknowledgment of the individuals who contributed to the preparation of the manuscript but who do not fulfill the authorship criteria.

Abstract: An abstract should be submitted with all submissions except for Letters to the Editor. Submitting a Turkish abstract is not compulsory for international authors. The abstract of Original Articles should be structured with subheadings (Objective, Material and methods, Results, and Conclusion). Please check Table 1 below for word count specifications.

Keywords: Each submission must be accompanied by a minimum of three to a maximum of six keywords for subject indexing at the end of the abstract. The keywords should be listed in full without abbreviations. The keywords should be selected from the National Library of Medicine, Medical

Subject Headings database (<https://www.nlm.nih.gov/mesh/MBrowser.html>).

Main Points: All submissions except letters to the editor should be accompanied by 3 to 5 "main points" which should emphasize the most noteworthy results of the study and underline the principle message that is addressed to the reader. This section should be structured as itemized to give a general overview of the article. Since "Main Points" targeting the experts and specialists of the field, each item should be written as plain and straightforward as possible.

Manuscript Types

Original Articles: This is the most important type of article since it provides new information based on original research. The main text of original articles should be structured with Introduction, Material and methods, Results, and Discussion subheadings. Please check Table 1 for the limitations for Original Articles.

Statistical analysis to support conclusions is usually necessary. Statistical analyses must be conducted in accordance with international statistical reporting standards (Altman DG, Gore SM, Gardner MJ, Pocock SJ. Statistical guidelines for contributors to medical journals. *Br Med J* 1983; 7; 1489-93). Information on statistical analyses should be provided with a separate subheading under the Materials and Methods section and the statistical software that was used during the process must be specified.

Units should be prepared in accordance with the International System of Units (SI).

Editorial Comments: Editorial comments aim to provide a brief critical commentary by reviewers with expertise or with high reputation in the topic of the research article published in the journal. Authors are selected and invited by the journal to provide such comments. Abstract, Keywords, and Tables, Figures, Images, and other media are not included.

Review Articles: Reviews prepared by authors who have extensive knowledge on a particular field and whose scientific background has been translated into a high volume of publications with a high citation potential are welcomed. These authors may even be invited by the journal. Reviews should describe, discuss, and evaluate the current level of knowledge of a topic in clinical practice and should guide future stud-



TURKISH JOURNAL OF UROLOGY

ies. The main text should contain Introduction, Clinical and Research Consequences, and Conclusion sections. Please check Table 1 for the limitations for Review Articles.

Case Reports: There is limited space for case reports in the journal and reports on rare cases or conditions that constitute challenges in diagnosis and treatment, those offering new therapies or revealing knowledge not included in the literature, and interesting and educative case reports are accepted for publication. The text should include Introduction, Case presentation, and Discussion subheadings. Please check Table 1 for the limitations for Case Reports.

Letters to the Editor: This type of manuscript discusses important parts, overlooked aspects, or lacking parts of a previously published article. Articles on subjects within the scope of the journal that might attract the readers' attention, particularly educative cases, may also be submitted in the form of a "Letter to the Editor." Readers can also present their comments on the published manuscripts in the form of a "Letter to the Editor." Abstract, Keywords, and Tables, Figures, Images, and other media should not be included. The text should be unstructured. The manuscript that is being commented on must be properly cited within this manuscript.

Video Article: A video article requires a video of a clinical case, new or advanced surgical techniques. The duration should be between 5-8 minutes accompanied with a structured abstract. The abstract should be structured as "Objective", "Materials and Methods", "Results", and "Conclusion". The video must have a narration and may contain graphs and images. Video articles are expected to highlight the main idea and the striking results of the research and/or case in a concise way. The videos must not contain music.

Clinical Trial: A clinical trial is a prospective research assigning patients to a health-related intervention in order to study the effect of intervention and its outcome. Turkish Journal of Urology adopts the ICMJE's clinical trial registration policy, which requires that clinical trials must be registered in a publicly accessible registry that is a primary register of the WHO International Trials Registry Platform (ICTRP) or in ClinicalTrials.gov. The name of the registry and the registration number should be provided in the Title Page during the initial submission.

As of 1 January 2019, a data sharing plan is required for the registration of clinical trials. Authors are required to provide a data sharing statement for the articles that reports the results of a clinical trial. The data sharing statement should indicate the items below according to the ICMJE data sharing policy:

- Whether individual deidentified participant data will be shared
- What data in particular will be shared
- Whether additional, related documents will be available
- When the data will be available and for how long
- By what access criteria data will be shared

Authors are recommended to check the ICMJE data sharing examples at <http://www.icmje.org/recommendations/browse/publishing-and-editorial-issues/clinical-trial-registration.html>.

Mini Review: This type of article aims to review a novel topic in a succinct way. A mini review should be prepared as a 1000-word main text accompanied by an unstructured abstract.

Surgical Technique: This type of article aims to summarize new surgical techniques in a brief way providing the need and rationale of the technique by comparing it with the previous techniques. Novel aspects of the technique and post-operative care should be emphasized in this type of article. Surgical technique must contain a structured abstract including the following subheadings: Background, Description of Technique, Patients and Methods, Results, and Conclusion. Main text should also be structured with the same subheadings with the abstract section of the article.

Clinical Update: This type of article aims to present the current perspectives of clinical topics that will affect the patient care. A clinical update article should be maximum 3000 word long accompanied by a 150-word unstructured abstract.

Guideline of guidelines: Guideline of guidelines aims to provide a critical commentary of the urology guidelines. This type of article should be maximum 3000 word long with an unstructured abstract. Authors are only commissioned or invited by the editor.



TURKISH JOURNAL OF UROLOGY

Table. Limitations for each manuscript type

Type of manuscript	Word limit	Abstract word limit	Reference limit	Table Limit	Figure Limit
Original Article	3000	250 (Structured)	30	6	7 or total of 15 images
Review Article	4000	250	50	6	10 or total of 20 images
Case Report	1500	200	15	No tables	10 or total of 20 images
Letter to the Editor	500	No abstract	5	No tables	No media
Clinical Trial	3000	250 (Structured)	30	6	7 or total of 15 images
Mini Review	1000	150	10	2	2 or total of 5 images
Surgical Technique	1200	150	10	No tables	4 or total of 8 images
Guideline of Guidelines	3000	250	40	5	4 or total of 8 images
Clinical Update	3000	150	30	5	4 or total of 8 images

Tables

Tables should be included in the main document, presented after the reference list, and they should be numbered consecutively in the order they are referred to within the main text. A descriptive title must be placed above the tables. Abbreviations used in the tables should be defined below the tables by footnotes (even if they are defined within the main text). Tables should be created using the "insert table" command of the word processing software and they should be arranged clearly to provide easy reading. Data presented in the tables should not be a repetition of the data presented within the main text but should be supporting the main text.

Figures and Figure Legends

Figures, graphics, and photographs should be submitted as separate files (in TIFF or JPEG format) through the submission system. The files should not be embedded in a Word document or the main document. When there are figure subunits, the subunits should not be merged to form a single image. Each subunit should be submitted separately through

the submission system. Images should not be labeled (a, b, c, etc.) to indicate figure subunits. Thick and thin arrows, arrowheads, stars, asterisks, and similar marks can be used on the images to support figure legends. All information that may indicate an individual or institution should be omitted from the submitted images to ensure a blind evaluation process. The minimum resolution of each submitted figure should be 300 DPI. To prevent delays in the evaluation process, all submitted figures should be clear in resolution and large in size (minimum dimensions: 100 × 100 mm). Figure legends should be listed at the end of the main document.

All acronyms and abbreviations used in the manuscript should be defined at first use, both in the abstract and in the main text. The abbreviation should be provided in parentheses following the definition.

When a drug, product, hardware, or software program is mentioned within the main text, product information, including the name of the product, the producer of the product, and city and the country of the company (including the state if in USA), should be provided in parentheses in the following format: "Discovery St PET/CT scanner (General Electric, Milwaukee, WI, USA)"

All references, tables, and figures should be referred to within the main text, and they should be numbered consecutively in the order they are referred to within the main text.

Limitations, drawbacks, and the shortcomings of original articles should be mentioned in the Discussion section before the conclusion paragraph.

References

While citing publications, preference should be given to the latest, most up-to-date publications. Authors should avoid using references that are older than ten years. The limit for the old reference usage is 15% in the journal. If an ahead-of-print publication is cited, the DOI number should be provided. Authors are responsible for the accuracy of references. References should be cited in brackets within the main text. Journal titles should be abbreviated in accordance with the journal abbreviations in Index Medicus/MEDLINE/PubMed. When there are six or fewer authors, all authors should be listed. If there are seven or more authors, the first six authors should be listed followed by "et al." In the main text of the manuscript, references



TURKISH JOURNAL OF UROLOGY

should be cited using Arabic numbers in square brackets and superscript characters. The reference styles for different types of publications are presented in the following examples.

Journal Article: Sezen SF, Lagoda G, Burnett AL. Role of immunophilins in recovery of erectile function after cavernous nevre injury. *J Sex Med* 2009;6:340-6.

Book Section: Suh KN, Keystone JS. Malaria and babesiosis. Gorbach SL, Barlett JG, Blacklow NR, editors. *Infectious Diseases*. Philadelphia: Lippincott Williams; 2004.p.2290-308.

Books with a Single Author: Sweetman SC. *Martindale the Complete Drug Reference*. 34th ed. London: Pharmaceutical Press; 2005.

Editor(s) as Author: Huizing EH, de Groot JAM, editors. *Functional reconstructive nasal surgery*. Stuttgart-New York: Thieme; 2003.

Conference Proceedings: Bengissson S. Sothemim BG. Enforcement of data protection, privacy and security in medical informatics. In: Lun KC, Degoulet P, Piemme TE, Rienhoff O, editors. *MEDINFO 92. Proceedings of the 7th World Congress on Medical Informatics*; 1992 Sept 6-10; Geneva, Switzerland. Amsterdam: North-Holland; 1992. pp.1561-5.

Scientific or Technical Report: Cusick M, Chew EY, Hoogwerf B, Agrón E, Wu L, Lindley A, et al. Early Treatment Diabetic Retinopathy Study Research Group. Risk factors for renal replacement therapy in the Early Treatment Diabetic Retinopathy Study (ETDRS), Early Treatment Diabetic Retinopathy Study *Kidney Int*: 2004. Report No: 26.

Thesis: Yılmaz B. Ankara Üniversitesindeki Öğrencilerin Beslenme Durumları, Fiziksel Aktiviteleri ve Beden Kitle İndeksleri Kan Lipidleri Arasındaki İlişkiler. H.Ü. Sağlık Bilimleri Enstitüsü, Doktora Tezi. 2007.

Manuscripts Accepted for Publication, Not Published Yet: Slots J. The microflora of black stain on human primary teeth. *Scand J Dent Res*. 1974.

Epub Ahead of Print Articles: Cai L, Yeh BM, Westphalen AC, Roberts JP, Wang ZJ. Adult living donor liver imaging. *Diagn Interv Radiol*. 2016 Feb 24. doi: 10.5152/dir.2016.15323. [Epub ahead of print].

Manuscripts Published in Electronic Format: Morse SS. Factors in the emergence of infectious diseases. *Emerg Infect Dis* (serial online) 1995 Jan-Mar (cited 1996 June 5): 1(1): (24 screens). Available from: URL: [http:// www.cdc.gov/ncidod/EID/cid.htm](http://www.cdc.gov/ncidod/EID/cid.htm).

REVISIONS

When submitting a revised version of a paper, the author must submit a detailed "Response to the reviewers" that states point by point how each issue raised by the reviewers has been covered and where it can be found (each reviewer's comment, followed by the author's reply and line numbers where the changes have been made) as well as an annotated copy of the main document. Revised manuscripts must be submitted within 30 days from the date of the decision letter. If the revised version of the manuscript is not submitted within the allocated time, the revision option may be canceled. If the submitting author(s) believe that additional time is required, they should request this extension before the initial 30-day period is over.

Accepted manuscripts are copy-edited for grammar, punctuation, and format. Once the publication process of a manuscript is completed, it is published online on the journal's webpage as an ahead-of-print publication before it is included in its scheduled issue. A PDF proof of the accepted manuscript is sent to the corresponding author and their publication approval is requested within 2 days of their receipt of the proof.

Editor in Chief: Murat Bozlu

Address: Mersin Üniversitesi Tıp Fakültesi, Üroloji Anabilim Dalı, Mersin, Turkey

Phone: +90 324 241 00 00 (Extension: 1390)

Fax: +90 324 241 00 98

E-mail: muratbozlu@yahoo.com

Publisher: AVES

Address: Büyükdere Cad., 105/9 34394 Mecidiyeköy, Şişli, İstanbul, Turkey

Phone: +90 212 217 17 00

Fax: +90 212 217 22 92

E-mail: info@avesyayincilik.com

Web page: avesyayincilik.com



TURKISH JOURNAL OF UROLOGY

CONTENTS

INVITED REVIEWS

Thulium fiber laser: The new kid on the block <i>Matthew Schembri, Jayanta Sahu, Omar Aboumarzouk, Amelia Pietropaolo, Bhaskar K. Somani</i>	S1
Problems and solutions of stent biofilm and encrustations: A review of literature <i>Sara Khoddami, Ben H. Chew, Dirk Lange</i>	S11
How to maximize the efficacy of shockwave lithotripsy <i>Neophytos Petrides, Safiyah Ismail, Faqar Anjum, Seshadri Sriprasad</i>	S19
Artificial intelligence (AI) in urology-Current use and future directions: An iTRUE study <i>Milap Shah, Nithesh Naik, Bhaskar K. Somani, BM Zeeshan Hameed</i>	S27
Cost comparison of single-use versus reusable flexible ureteroscope: A systematic review <i>Eugenio Ventimiglia, Alvaro Jiménez Godínez, Olivier Traxer, Bhaskar K. Somani</i>	S40
Endoscopic combined intrarenal surgery (ECIRS) - Tips and tricks to improve outcomes: A systematic review <i>Cecilia Maria Cracco, Cesare Marco Scoffone</i>	S46
Minimally invasive percutaneous nephrolithotomy (PCNL): Techniques and outcomes <i>Panagiotis Kallidonis, Arman Tsaturyan, Marco Lattarulo, Evangelos Liatsikos</i>	S58
Role of conservative management of stones <i>Kesavapillai Subramonian, Hector Sandoval Barba, Maitrey Darrad</i>	S64
Lower urinary tract dysfunction in common neurological diseases <i>Mohamad Moussa, Athanasios Papatsoris, Mohamed Abou Chakra, Yousef Fares, Athanasios Dellis</i>	S70
Indications, techniques, and role of new minimally invasive benign prostate hyperplasia surgical options <i>Serdar Yalçın, Lütfi Tunç</i>	S79
The role of fluid intake in the prevention of kidney stone disease: A systematic review over the last two decades <i>Kithmini Nadeeshani Gamage, Enakshee Jamnadass, Sadaf Karim Sulaiman, Amelia Pietropaolo, Omar Aboumarzouk, Bhaskar K. Somani</i>	S92
Guideline of guidelines for kidney and bladder stones <i>Thomas Hughes, Hui Ching Ho, Amelia Pietropaolo, Bhaskar K. Somani</i>	S104

A PEER-REVIEWED BIMONTHLY JOURNAL



TURKISH JOURNAL OF UROLOGY

EDITORIAL

DOI: 10.5152/tud.2020.241120

Dear Colleagues,

Welcome to this special Endourology edition of Turkish Journal of Urology. This is the first special issue and following this issue we plan to have future special editions on other topics such as uro-oncology, andrology, benign prostate hyperplasia (BPH) and many more.

The world of endourology is changing and this issue attempts to keep pace with this change. It covers pertinent technological aspects and unravels the mystery of Thulium fiber laser (TFL) which has taken the world of kidney stone disease (KSD) by storm. All aspects of TFL are discussed in this up-to-date review article. Primary prevention and role fluid intake for KSD is covered via a large systematic review over the last 2 decades. A chapter dedicated to problems and solutions related to stent biofilm and encrustations is also included.

Stone treatment includes articles on the role of conservative management, improving efficacy of shockwave lithotripsy (SWL), techniques and outcomes of minimally invasive percutaneous nephrolithotomy (PCNL), and the first systematic review on endoscopic combined intrarenal surgery (ECIRS).

It also has 2 chapters on lower urinary tract symptoms (LUTS). The first one covers lower urinary tract dysfunction in common neurological diseases and the second one looks at indications, techniques and role of new minimally invasive surgical options for BPH.

A concise chapter on 'Guideline of guidelines for kidney and bladder stone treatment' will help the reader understand the current guidelines for stone treatment. A cost comparison of single and reusable ureteroscopes will help them with feasibility and appropriateness of single use scopes tailored to their needs. The use of Artificial Intelligence (AI) and its future directions for urology will allow them to look into what the future will be with respect to management of urological diseases.

This endourology focussed issue highlights excellent articles on important aspects of endourology with contribution from several countries including Italy, Canada, France, India, UK, Greece and Turkey.

We have seen a big rise in the numbers and quality of articles submitted to the Turkish Journal of Urology and this is a testament to the authors, reviewers, editorial team and the journal staff. While the journal website is revamped, there are new article submission categories including video submissions with new submission format to make the submission process seamless.

We hope you will enjoy the articles and we will be keen to receive feedback or comments related to it.

Prof. Dr. Bhaskar K. Somani
Co-Editor

Prof. Dr. Murat Bozlu
Editor-in-Chief